

## Valvole a sfera femmina/femmina con premi-stoppa in PTFE e O-ring

*Female/female ball valves with PTFE packing gland and O-ring*

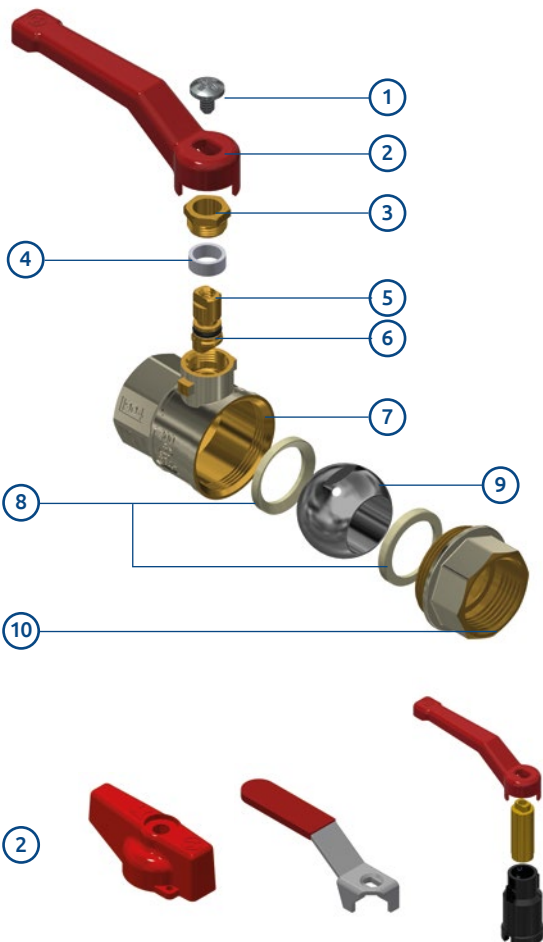
PN25



- Valvole a sfera in ottone, nichelate solo sulla superficie esterna.
- Per impianti idrotermosanitari (adatte al consumo di acqua potabile secondo le recenti normative Europee).
- Installazione in impianti di riscaldamento industriale, civile, impianti pneumatici, per fluidi non aggressivi.
- Installazione in impianti di media pressione di distribuzione acqua.
- *Brass ball valves, nickel-plated only on the external surface.*
- *For hydro-thermo-sanitary systems (domestic water consumption according to recent European regulations).*
- *Installation in industrial and civil heating systems, pneumatic systems and for non-aggressive fluids.*
- *Installation in medium pressure water distribution systems.*

- Pressione di esercizio: 25 bar.
- Temperatura di esercizio: -20°C +130°C (gelo escluso).
- Filetti cilindrici secondo norma ISO 228-1.
- Tenuta sull'asta: asta assemblata dall'interno con premi-stoppa in PTFE e 1 OR in EPDM Perox.
- Tenuta sulla sfera con 2 sedi in PTFE.
- Passaggio totale.

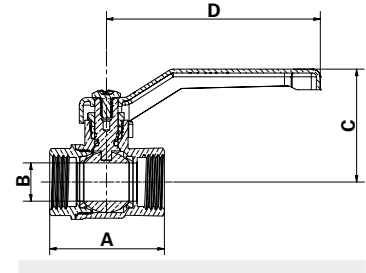
- *Working pressure: 25 bar.*
- *Working temperature: -20°C +130°C (excluding frost).*
- *Cylindrical threads according to ISO 228-1.*
- *Seal on stem: stem assembled from inside with PTFE gasket and 1 OR in EPDM Perox.*
- *Seal on the ball with 2 gaskets in PTFE.*
- *Full port.*



1. Vite in acciaio AISI 430.
  2. Leva in acciaio, oppure:
    - manopola in alluminio;
    - leva piatta in acciaio o in acciaio inox AISI 430;
    - leva in acciaio con prolunga in ottone CW617N UNI EN 12165 nichelato e canotto in plastica PA6 caricata 50% fibra di vetro.
  3. Ghiera in CW614N EN 12165.
  4. Anello premistoppa PTFE.
  5. Asta in CW614N EN 12165.
  6. O-ring in EPDM PEROX.
  7. Corpo valvola CW617N EN 12165 nichelato solo sulla superficie esterna.
  8. Sede in PTFE.
  9. Sfera in CW617N cromata.
  10. Manicotto in CW617N EN 12165 nichelato solo sulla superficie esterna.
1. *Steel AISI 430 screw.*
  2. *Drawn steel lever handle or:*
    - *aluminium knob;*
    - *steel or AISI 430 stainless steel flat lever;*
    - *steel lever with extension stem in brass CW617N UNI EN 12165 nickel-plated and external extension in plastic PA6 50% fiberglass loaded.*
  3. *CW614N UNI EN 12164 packing gland.*
  4. *PTFE ring seal.*
  5. *CW614N UNI EN 12164 stem.*
  6. *EPDM PEROX O-ring.*
  7. *CW617N UNI EN 12165 body valve, nickel-plated only on the external surface.*
  8. *PTFE gasket.*
  9. *CW617N UNI EN 12165 chrome-plated ball.*
  10. *CW617N UNI EN 12165 end adaptor, nickel-plated only on the external surface.*



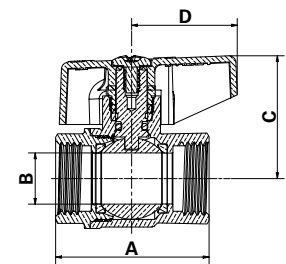
**Con leva in acciaio imbutita**  
*With drawn steel lever*



Attacchi Connections	Codice prodotto Product code		PN	A ±1mm	B mm	C mm	D mm	Conf. num. pezzi Pack. num. pieces
3/8"	<b>300C3/8G1R</b>	<b>300C3/8G1B</b>	25	37,5	11	44	83	12/144
1/2"	<b>300D1/2G1R</b>	<b>300D1/2G1B</b>	25	44,5	15	45	83	10/120
3/4"	<b>300E3/4G1R</b>	<b>300E3/4G1B</b>	25	53	20	48	83	8/96
1"	<b>300F001G1R</b>	<b>300F001G1B</b>	25	66	25	68	90	4/48
1" 1/4	<b>300G11/4G1R</b>	<b>300G11/4G1B</b>	25	75	32	73	90	15
1" 1/2	<b>300H11/2G1R</b>	<b>300H11/2G1B</b>	25	84	40	78	90	10
2"	<b>300I002G1R</b>	<b>300I002G1B</b>	25	108	50	90	160	10
2" 1/2	<b>300L21/2G1R</b>	<b>300L21/2G1B</b>	25	117	58	97,5	160	4



**Con manopola in alluminio**  
*With aluminium knob*

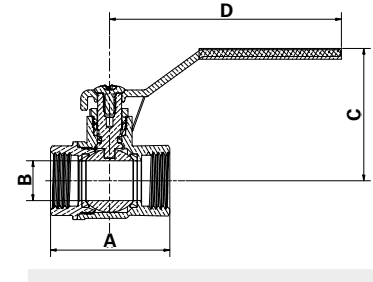



Attacchi Connections	Codice prodotto Product code		PN	A ±1mm	B mm	C mm	D mm	Conf. num. pezzi Pack. num. pieces
3/8"	<b>300C3/8G2R</b>	<b>300C3/8G2B</b>	25	37,5	11	36	31,5	12/144
1/2"	<b>300D1/2G2R</b>	<b>300D1/2G2B</b>	25	44,5	15	39	31,5	10/120
3/4"	<b>300E3/4G2R</b>	<b>300E3/4G2B</b>	25	53	20	41	31,5	8/96
1"	<b>300F001G2R</b>	<b>300F001G2B</b>	25	66	25	54	42,5	4/48
1" 1/4	<b>300G11/4G2R</b>	<b>300G11/4G2B</b>	25	75	32	59	42,5	15



### Con leva piatta in acciaio

*With steel flat lever*

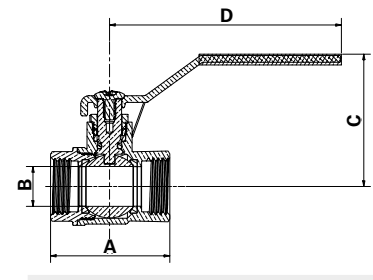



Attacchi Connections	Codice prodotto Product code	PN	A ±1mm	B mm	C mm	D mm	Conf. num. pezzi Pack. num. pieces
							
3/8"	300C3/8G3R	25	37,5	11	48	86,5	12/144
1/2"	300D1/2G3R	25	44,5	15	50	86,5	12/144
3/4"	300E3/4G3R	25	53	20	53,5	86,5	8/96
1"	300F001G3R	25	66	25	65,5	114	3/36
1" 1/4	300G11/4G3R	25	75	32	70,5	114	15
1" 1/2	300H11/2G3R	25	84	40	83	114	10
2"	300I002G3R	25	108	50	92	132	10



### Con leva piatta in acciaio INOX AISI 430

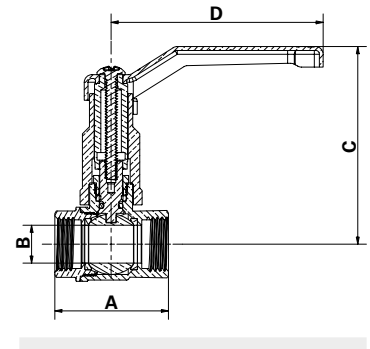
*With INOX AISI 430 steel flat lever*





Attacchi Connections	Codice prodotto Product code	PN	A ±1mm	B mm	C mm	D mm	Conf. num. pezzi Pack. num. pieces
							
3/8"	300C3/8G4R	25	37,5	11	48	86,5	12/144
1/2"	300D1/2G4R	25	44,5	15	50	86,5	12/144
3/4"	300E3/4G4R	25	53	20	53,5	86,5	8/96
1"	300F001G4R	25	66	25	65,5	114	3/36
1" 1/4	300G11/4G4R	25	75	32	70,5	114	15
1" 1/2	300H11/2G4R	25	84	40	83	114	10
2"	300I002G4R	25	108	50	92	132	10



**Con prolunga e leva in acciaio imbutita**  
*With extension stem and steel lever*



Attacchi Connections	Codice prodotto Product code		PN	A ±1mm	B mm	C mm	D mm	Conf. num. pezzi Pack. num. pieces
								
1/2"	<b>300D1/2G1RFM</b>	<b>300D1/2G1BFM</b>	25	44,5	15	74,5	83	40
3/4"	<b>300E3/4G1RF</b>	<b>300E3/4G1BF</b>	25	53	20	78	83	30
1"	<b>300F001G1RF</b>	<b>300F001G1BF</b>	25	66	25	104	90	30
1" 1/4	<b>300G11/4G1RF</b>	<b>300G11/4G1BF</b>	25	75	32	109,5	90	20
1" 1/2	<b>300H11/2G1RF</b>	<b>300H11/2G1BF</b>	25	84	40	116	90	16
2"	<b>300I002G1RF</b>	<b>300I002G1BF</b>	25	108	50	142,5	160	10