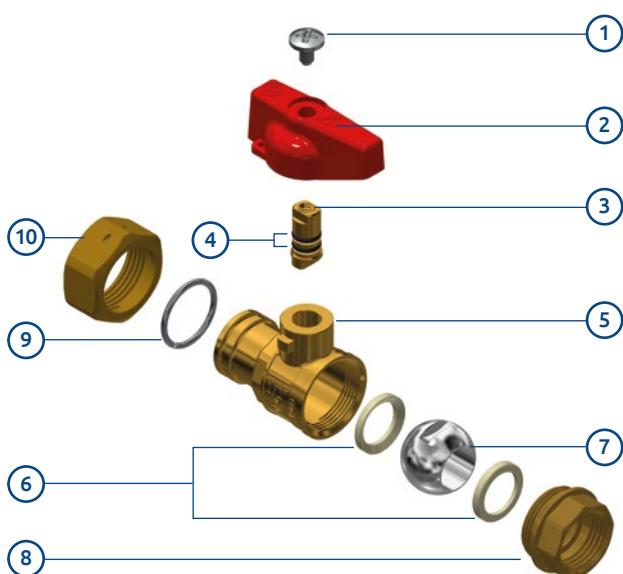


**362****Valvole a sfera femmina/femmina con dado girevole***Female/female ball valves with swivel nut***PN25**

- Valvole a sfera in ottone.
- Valvola di intercettazione (ON-OFF) per contatori (adatta al consumo di acqua potabile secondo le recenti normative Europee).
- *Brass ball valves.*
- *Shut-off valve (ON-OFF) for water meters (suitable for domestic water consumption according to recent European regulations).*

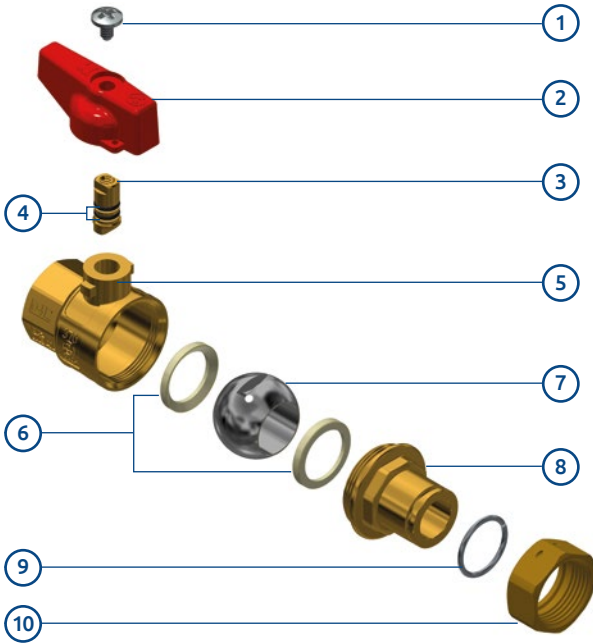
- Pressione di esercizio: 25 bar;
- Temperatura di esercizio: -20°C +130°C (gelo escluso).
- Filetti cilindrici secondo norma ISO 228-1.
- Tenuta sull'asta:
  - 1/2" - 3/4" asta assemblata dall'interno con 2 OR in EPDM Perox;
  - 1"x1"1/4 asta assemblata dall'interno con 2 OR in EPDM Perox;
  - 3/4" - 1" asta assemblata dall'interno con 2 OR in EPDM Perox.
- Tenuta sulla sfera con 2 sedi in PTFE.
- Passaggio totale.

- *Working pressure: 25 bar;*
- *Working temperature: -20°C +130°C (excluding frost).*
- *Cylindrical threads according to ISO 228-1.*
- *Seal on the stem:*
  - *1/2" - 3/4" stem assembled from inside with 2 OR in EPDM Perox;*
  - *1"x1"1/4 stem assembled from inside with 2 OR in EPDM Perox;*
  - *3/4" - 1" stem assembled from inside with 2 OR in EPDM Perox.*
- *Seal on the ball with 2 gaskets in PTFE.*
- *Full port.*



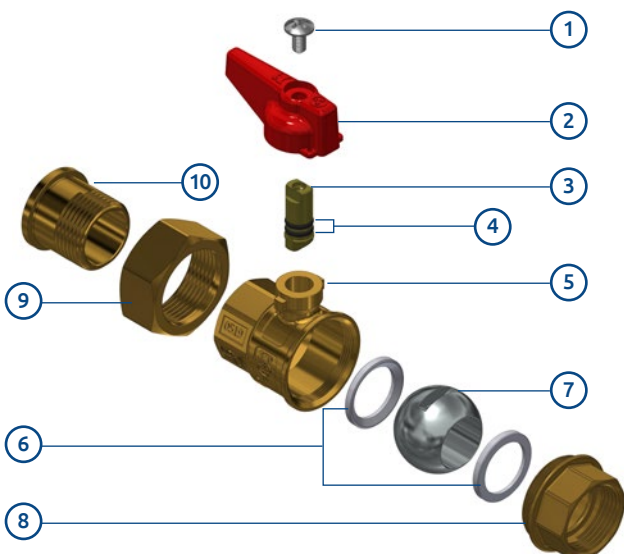
1. Vite in acciaio AISI 430.
2. Manopola in alluminio.
3. Asta CW614N UNI EN 12164.
4. O-ring in EPDM PEROX.
5. Corpo valvola CW617N UNI EN 12165.
6. Sede in PTFE.
7. Sfera in CW617N EN 12165 cromata.
8. Manicotto in CW617N EN 12165.
9. Anello elastico in acciaio.
10. Dado CW617N UNI EN 12165.

1. *AISI 430 screw steel.*
2. *Aluminium knob.*
3. *Stem in CW614N UNI EN 12164.*
4. *EPDM PEROX o-ring.*
5. *CW617N UNI EN 12165 body valve.*
6. *PTFE gasket.*
7. *CW617N chrome plated ball.*
8. *CW617N EN 12165 end adaptor.*
9. *Elastic ring steel.*
10. *CW617N UNI EN 12165 nut.*



1. Vite in acciaio AISI 430.
2. Manopola in alluminio.
3. Asta CW614N UNI EN 12164.
4. O-ring EPDM PEROX.
5. Corpo valvola CW617N UNI EN 12165.
6. Sede PTFE.
7. Sfera CW617N EN 12165 cromata.
8. Manicotto CW617N EN 12165.
9. Anello elastico in acciaio.
10. Dado CW617N UNI EN 12165.

1. AISI 430 screw steel.
2. Aluminium knob.
3. Stem in CW614N UNI EN 12164.
4. EPDM PEROX o-ring.
5. CW617N UNI EN 12165 body valve.
6. PTFE gasket.
7. CW617N chrome plated ball.
8. CW617N EN 12165 end adaptor.
9. Elastic ring steel.
10. CW617N UNI EN 12165 nut.

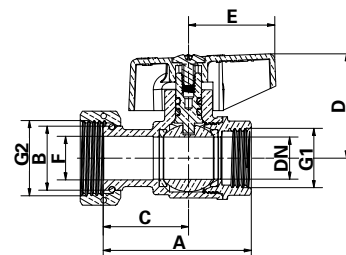


1. Vite in acciaio AISI 430.
2. Manopola in alluminio.
3. Asta CW614N UNI EN 12164.
4. O-ring EPDM PEROX.
5. Corpo valvola CW617N EN 12165.
6. Sede PTFE.
7. Sfera CW617N EN 12165 cromata.
8. Manicotto CW617N EN 12165.
9. Dado CW617N UNI EN 12165.
10. Codolo CW617N EN 12165.

1. AISI 430 screw steel.
2. Aluminium knob.
3. Stem in CW614N UNI EN 12164.
4. EPDM PEROX o-ring.
5. CW617N UNI EN 12165 body valve.
6. PTFE gasket.
7. CW617N chrome plated ball.
8. CW617N EN 12165 end adaptor.
9. CW617N UNI EN 12165 nut.
10. CW617N UNI EN 12165 union.



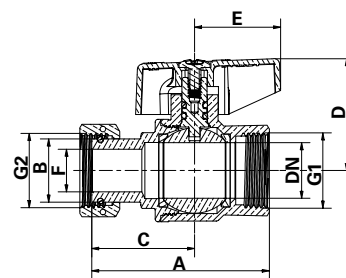
**Con manopola in alluminio**  
*With aluminium knob*



Attacchi Connections		Codice prodotto Product code		DN	A ±1 mm	B mm	C mm	D mm	E mm	F mm	Conf. num. pezzi Pack. num. pieces
<b>G1</b>	<b>G2</b>										
1/2"	1/2"	<b>362D1/2J2R1/2</b>	<b>362D1/2J2B1/2</b>	15	51,5	16,2	29,5	36,5	31,5	10	10/120
1/2"	3/4"	<b>362D1/2J2R3/4</b>	<b>362D1/2J2B3/4</b>	15	52	22,5	30	36,5	31,5	15,3	10/120



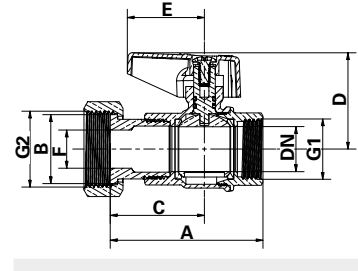
**Con manopola in alluminio**  
*With aluminium knob*





Attacchi Connections		Codice prodotto Product code		DN	A ±1 mm	B mm	C mm	D mm	E mm	F mm	Conf. num. pezzi Pack. num. pieces
<b>G1</b>	<b>G2</b>										
3/4"	3/4"	<b>362E3/4J2R3/4</b>	<b>362E3/4J2B3/4</b>	20	63,5	22,5	26,65	39	31,5	15,2	6/72
3/4"	1"	<b>362E3/4J2R1</b>	<b>362E3/4J2B1</b>	20	64	28	37,5	39	31,5	19,8	6/72
1"	1"	<b>362F001J2R1</b>	<b>362F001J2B1</b>	25	76,3	28	43,3	54	42,5	19,8	4/48



**Con manopola in alluminio**  
*With aluminium knob*



Attacchi Connections		Codice prodotto Product code		DN	A ±1 mm	B mm	C mm	D mm	E mm	F mm	Conf. num. pezzi Pack. num. pieces
<b>G1</b>	<b>G2</b>										
1"	1"1/4	<b>362F01J2R11/4</b>	<b>362F01J2B11/4</b>	25	84,2	38	52	54	42,5	25,5	3/36